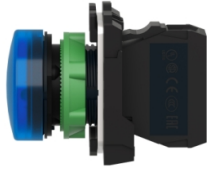


# Product datasheet

Specifications



Pilot light, Harmony XB5, grey plastic, blue, 22mm, universal LED, plain lens, 230...240V AC

XB5AVM6

## Main

|                                 |                            |
|---------------------------------|----------------------------|
| Range of product                | Harmony XB5                |
| product or component type       | Pilot light                |
| Device short name               | XB5                        |
| Bezel material                  | Dark grey plastic          |
| Fixing collar material          | Plastic                    |
| Head type                       | Standard                   |
| Mounting diameter               | 22.5 mm                    |
| Sale per indivisible quantity   | 1                          |
| Shape of signaling unit head    | Round                      |
| Cap/operator or lens colour     | Blue                       |
| Operator additional information | With plain lens            |
| Light source                    | Universal LED              |
| Bulb base                       | Integral LED               |
| Light source colour             | Blue                       |
| [Us] rated supply voltage       | 230...240 V AC at 50/60 Hz |
| device presentation             | Complete product           |

## Complementary

|  |   |
|--|---|
| Height                                 | 42 mm   |
| Width                                  | 30 mm   |
| Depth                                  | 54 mm   |
| Terminals description ISO n°1          | (X1-X2)PL   |
| net weight                             | 0.038 kg  |
| Resistance to high pressure washer     | 7000000 Pa at 55 °C, distance : 0.1 m   |
| Connections - terminals                | Screw clamp terminals, <= 2 x 1.5 mm <sup>2</sup> with cable end conforming to IEC 60947-1<br>Screw clamp terminals, 1 x 0.22...2 x 2.5 mm <sup>2</sup> without cable end conforming to IEC 60947-1 |
| [Ui] rated insulation voltage          | 250 V (pollution degree 3) conforming to IEC 60947-1  |
| [Uimp] rated impulse withstand voltage | 4 kV conforming to IEC 60947-1  |
| Signalling type                        | Steady  |
| GCR BRIDGE                             | XB5AVCUST05   |
| Compatibility code                     | XB5   |

|                              |                                     |
|------------------------------|-------------------------------------|
| <b>Supply voltage limits</b> | 195...264 V AC                      |
| <b>Current consumption</b>   | 14 mA                               |
| <b>Service life</b>          | 100000 h at rated voltage and 25 °C |
| <b>Surge withstand</b>       | 1 kV conforming to IEC 61000-4-5    |

## Environment

|  |  |
|--|--|
| <b>protective treatment</b>                  | TH   |
| <b>Ambient air temperature for storage</b>   | -40...70 °C  |
| <b>Ambient air temperature for operation</b> | -40...70 °C  |
| <b>Overvoltage category</b>                  | Class II conforming to IEC 60536   |
| <b>IP degree of protection</b>               | IP66 conforming to IEC 60529<br>IP67 conforming to IEC 60529<br>IP69 conforming to IEC 60529<br>IP69K conforming to ISO 20653  |
| <b>NEMA degree of protection</b>             | NEMA 13<br>NEMA 4X   |
| <b>IK degree of protection</b>               | IK05 conforming to IEC 50102   |
| <b>Standards</b>                             | JIS C8201-5-1<br>CSA C22.2 No 14<br>UL 508<br>IEC 60947-1<br>IEC 60947-5-4<br>IEC 60947-5-1<br>JIS C8201-1   |
| <b>Product certifications</b>                | UL listed<br>CSA   |
| <b>Vibration resistance</b>                  | 5 gn (f= 12...500 Hz) conforming to IEC 60068-2-6  |
| <b>Shock resistance</b>                      | 50 gn (duration = 18 ms) for half sine wave acceleration conforming to IEC 60068-2-27<br>30 gn (duration = 11 ms) for half sine wave acceleration conforming to IEC 60068-2-27   |
| <b>Resistance to fast transients</b>         | 2 kV conforming to IEC 61000-4-4   |
| <b>Resistance to electromagnetic fields</b>  | 10 V/m conforming to IEC 61000-4-3   |
| <b>Electromagnetic compatibility</b>         | Electrostatic discharge - test level: 6 kV (on contact (on metal parts)) conforming to IEC 61000-4-2<br>Electrostatic discharge - test level: 8 kV (in free air (in insulating parts)) conforming to IEC 61000-4-2<br>Electromagnetic emission class B conforming to IEC 55011 |
| <b>Resistance to electrostatic discharge</b> | 6 kV on contact (on metal parts) conforming to IEC 61000-4-2<br>8 kV in free air (in insulating parts) conforming to IEC 61000-4-2   |
| <b>Electromagnetic emission</b>              | Class B conforming to IEC 55011  |

## Packing Units

|                                     |          |
|-------------------------------------|----------|
| <b>Unit Type of Package 1</b>       | PCE      |
| <b>Number of Units in Package 1</b> | 1        |
| <b>Package 1 Height</b>             | 8.800 cm |
| <b>Package 1 Width</b>              | 3.400 cm |
| <b>Package 1 Length</b>             | 5.400 cm |
| <b>Package 1 Weight</b>             | 35.000 g |
| <b>Unit Type of Package 2</b>       | S03      |

|                                     |           |
|-------------------------------------|-----------|
| <b>Number of Units in Package 2</b> | 150       |
| <b>Package 2 Height</b>             | 30.000 cm |
| <b>Package 2 Width</b>              | 30.000 cm |
| <b>Package 2 Length</b>             | 40.000 cm |
| <b>Package 2 Weight</b>             | 5.722 kg  |
| <b>Unit Type of Package 3</b>       | P06       |
| <b>Number of Units in Package 3</b> | 1200      |
| <b>Package 3 Height</b>             | 75.000 cm |
| <b>Package 3 Width</b>              | 60.000 cm |
| <b>Package 3 Length</b>             | 80.000 cm |
| <b>Package 3 Weight</b>             | 56.444 kg |

## Contractual warranty

|                 |           |
|-----------------|-----------|
| <b>Warranty</b> | 18 months |
|-----------------|-----------|

## Sustainability

**Green Premium™ label** is Schneider Electric's commitment to delivering products with best-in-class environmental performance. Green Premium promises compliance with the latest regulations, transparency on environmental impacts, as well as circular and low-CO<sub>2</sub> products.

**Guide to assessing product sustainability** is a white paper that clarifies global eco-label standards and how to interpret environmental declarations.

[Learn more about Green Premium >](#)

[Guide to assess a product's sustainability >](#)



Transparency RoHS/REACH

## Well-being performance

Mercury Free

Rohs Exemption Information Yes

## Certifications & Standards

Reach Regulation [REACH Declaration](#)

Eu Rohs Directive Pro-active compliance (Product out of EU RoHS legal scope)

China Rohs Regulation [China RoHS declaration](#)

Environmental Disclosure [Product Environmental Profile](#)

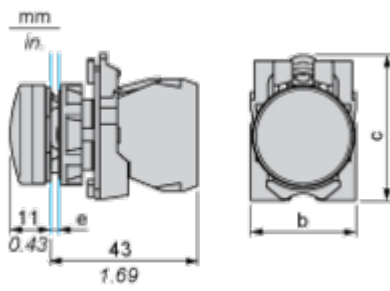
Weee The product must be disposed on European Union markets following specific waste collection and never end up in rubbish bins

Circularity Profile [End of Life Information](#)

Dimensions Drawings

**Dimensions**

---

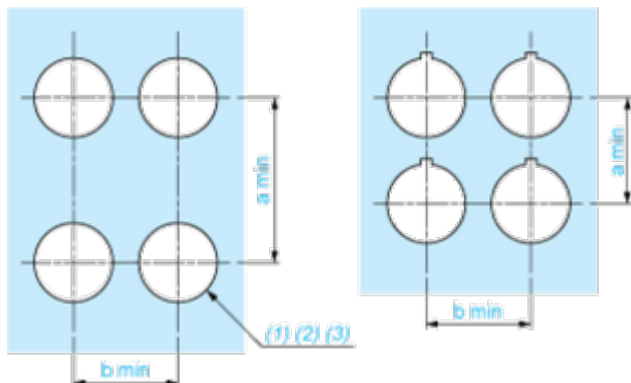


- e: clamping thickness: 1 to 6 mm / 0.04 to 0.24 in.
- b: 30 mm / 1.18 in.
- c: 41.5 mm / 1.63 in.

Mounting and Clearance

Panel Cut-out for Pushbuttons, Switches and Pilot Lights (Finished Holes, Ready for Installation)

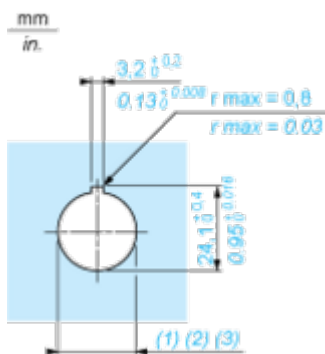
Connection by Screw Clamp Terminals or Plug-in Connectors or on Printed Circuit Board



- (1) Diameter on finished panel or support
- (2) For selector switches and Emergency stop buttons, use of an anti-rotation plate type ZB5AZ902 is recommended.
- (3)  $\varnothing 22.5$  mm recommended ( $\varnothing 22.3 \text{ }_0^{+0.4}$ ) /  $\varnothing 0.89$  in. recommended ( $\varnothing 0.88 \text{ in. }_0^{+0.016}$ )

| Connections                                   | a in mm | a in in. | b in mm | b in in. |
|---|---------|----------|---------|----------|
| By screw clamp terminals or plug-in connector | 40      | 1.57     | 30      | 1.18     |
| By Faston connectors                          | 45      | 1.77     | 32      | 1.26     |
| On printed circuit board                      | 30      | 1.18     | 30      | 1.18     |

Detail of Lug Recess



- (1) Diameter on finished panel or support
- (2) For selector switches and Emergency stop buttons, use of an anti-rotation plate type ZB5AZ902 is recommended.
- (3)  $\varnothing 22.5$  mm recommended ( $\varnothing 22.3 \text{ }_0^{+0.4}$ ) /  $\varnothing 0.89$  in. recommended ( $\varnothing 0.88 \text{ in. }_0^{+0.016}$ )